



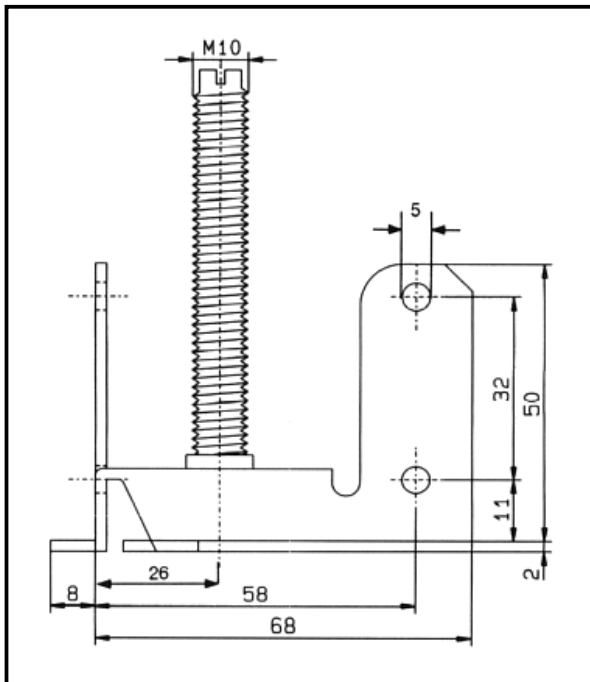
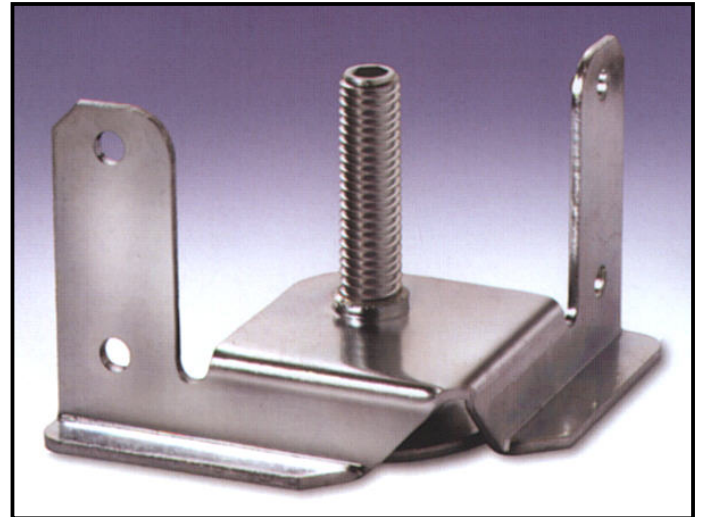
RAINER GIEVERS GMBH & CO. KG

Corner Bracket M10

This corner bracket M10 has a load capacity of 125 kg and is mounted or screwed on the bottom.

The bracket can be mounted with any M10 adjusting screws. Adjustment screws with a plate diameter up to 45 mm can be completely screwed in.

To increase the load capacity to 200 kg, a supporting plate is mounted.



Art.-Nr.:	Ausführung
015610	Eckwinkel M10
015610-1	+ Verstärkungsblech